

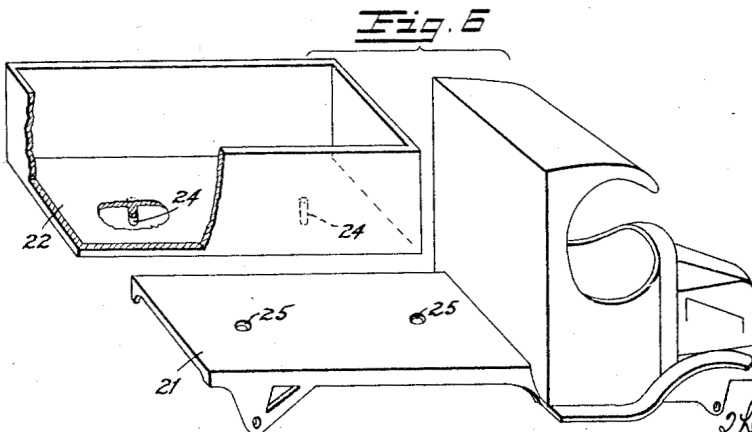
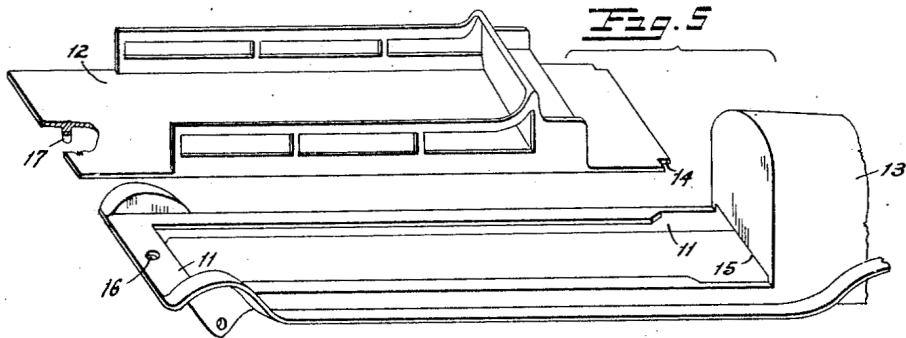
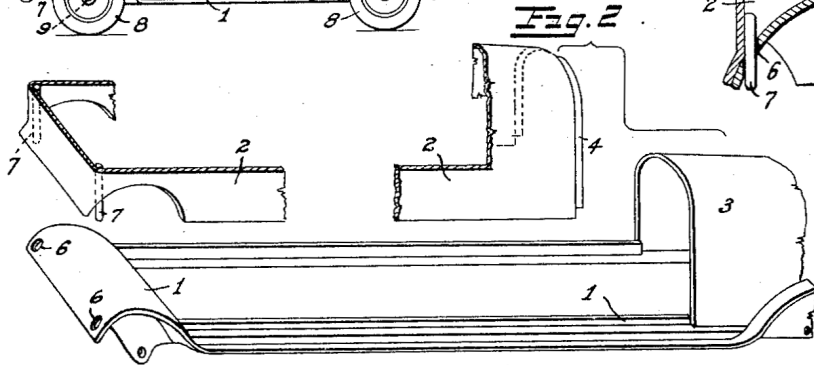
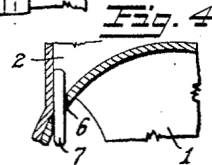
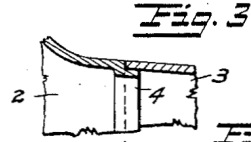
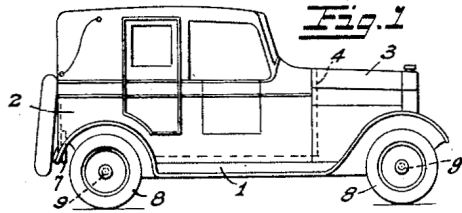
Nov. 6, 1928.

1,690,217

T. S. DOWST

CHILD'S WHEEL TOY AND PROCESS OF MAKING THE SAME

Filed Feb. 3, 1927



INVENTOR.
Thodore S. Dowst
BY *Duval Dunn Anderson*
ATTORNEYS.