

Sept. 17, 1929.

T. S. DOWST

1,728,725

WHEELED TOY

Filed Sept. 7, 1927

Fig-1-

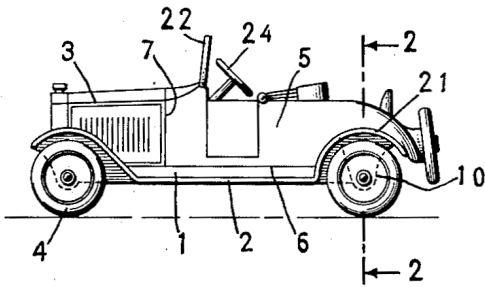


Fig-2-

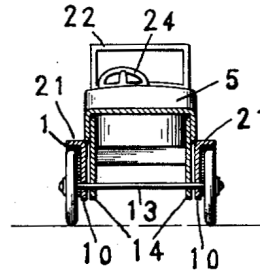


Fig-3-

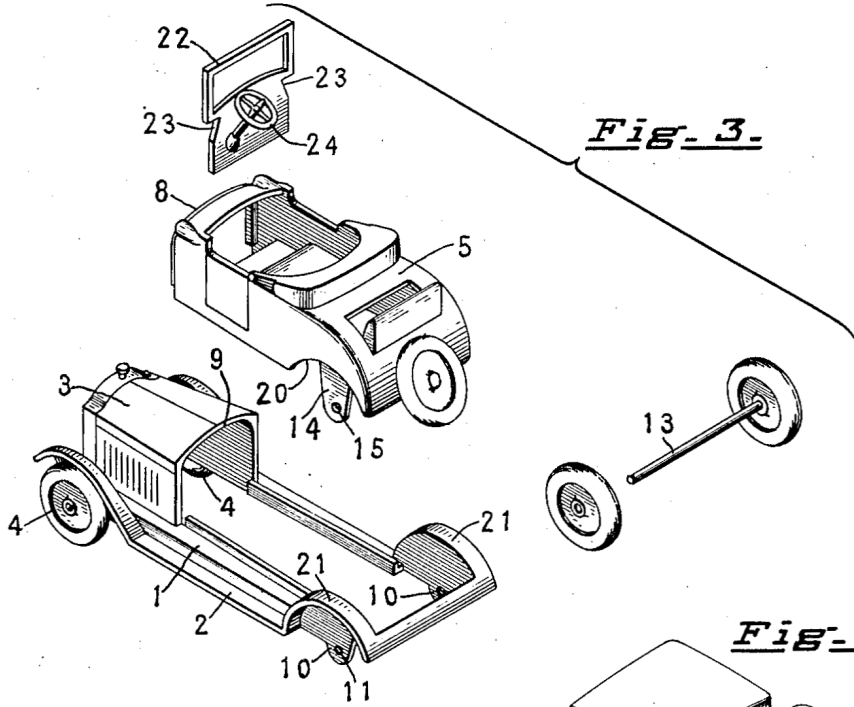


Fig-5-

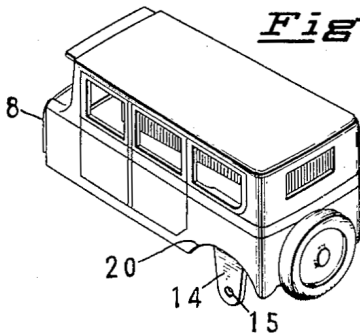
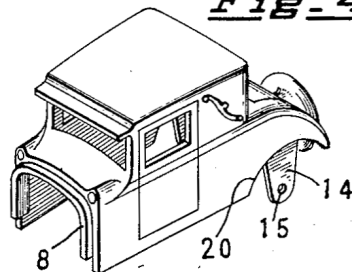


Fig-4-



INVENTOR
Theodore S. Dowst
BY
Wm. Bruce Anderson
ATTORNEY