

Dec. 22, 1936.

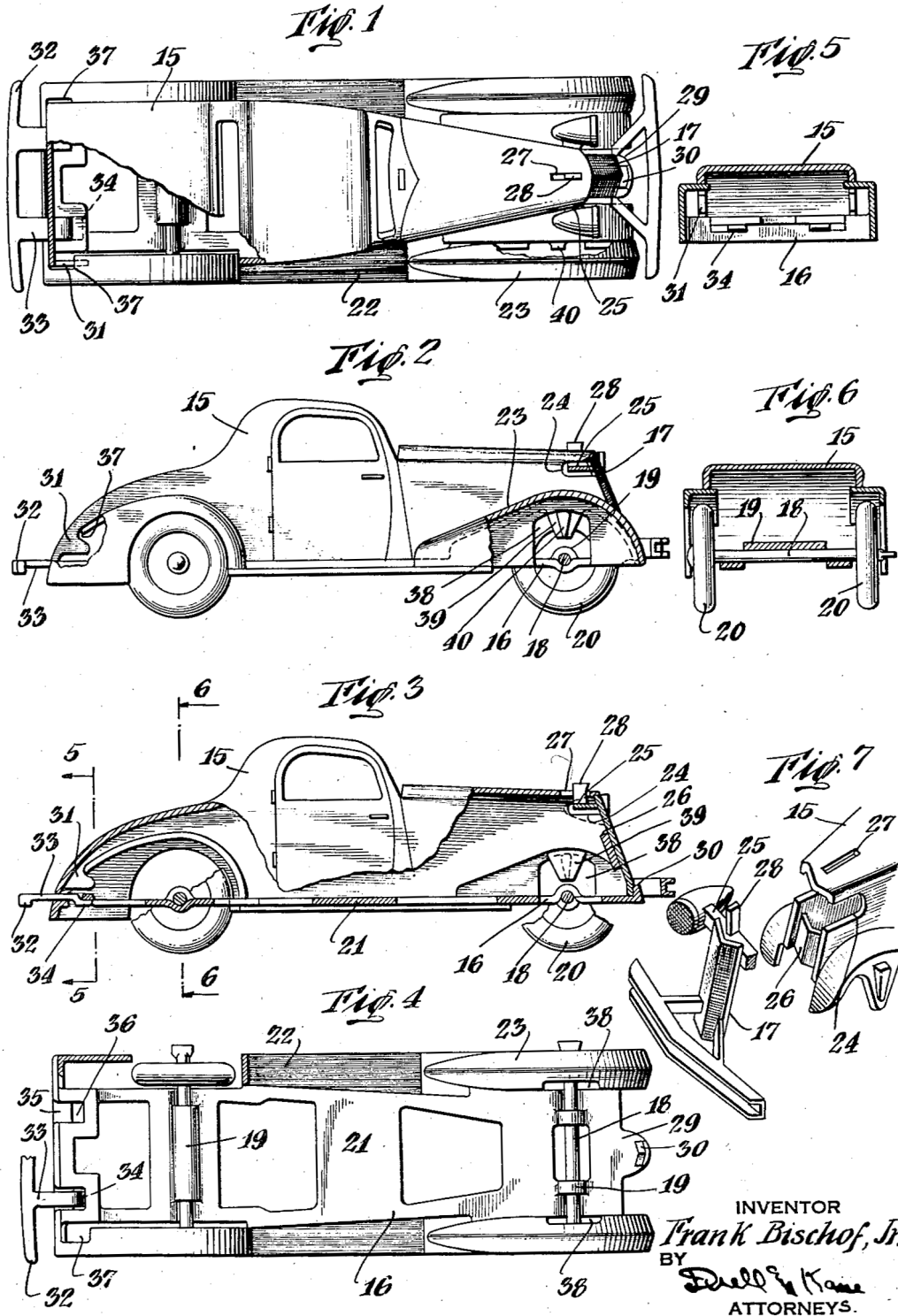
F. BISCHOF, JR

2,065,208

TOY

Filed Feb. 26, 1935

2 Sheets-Sheet 1



INVENTOR
Frank Bischof, Jr.
BY *Duell & Kane*
ATTORNEYS.

Dec. 22, 1936.

F. BISCHOF, JR

2,065,208

TOY

Filed Feb. 26, 1935

2 Sheets-Sheet 2

